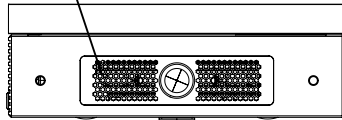
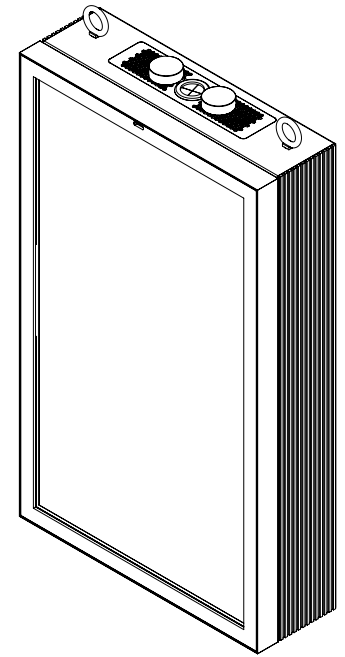
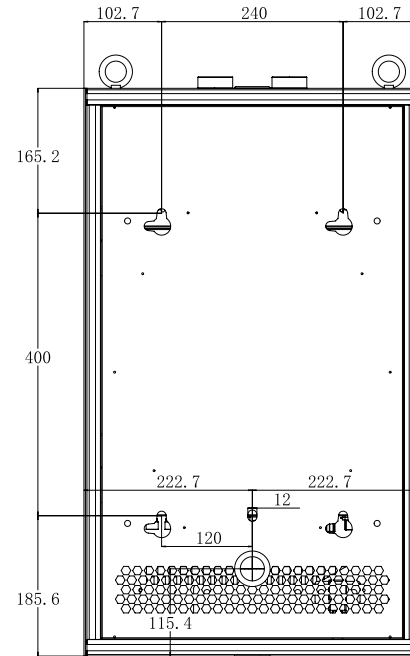
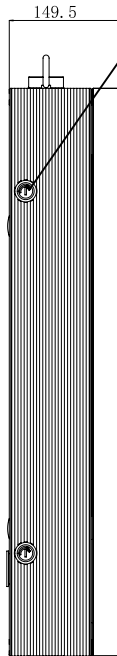
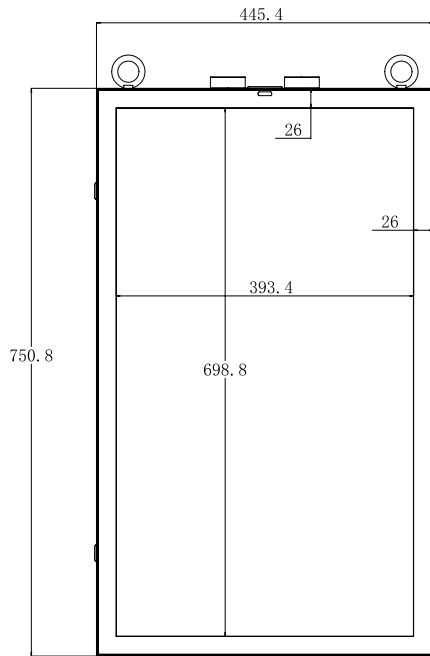
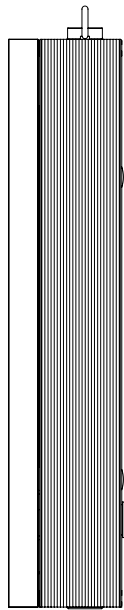


Air vents



2 locks on the right side,
front maintenance design



WIFI Antenna WIFI

Air vents

